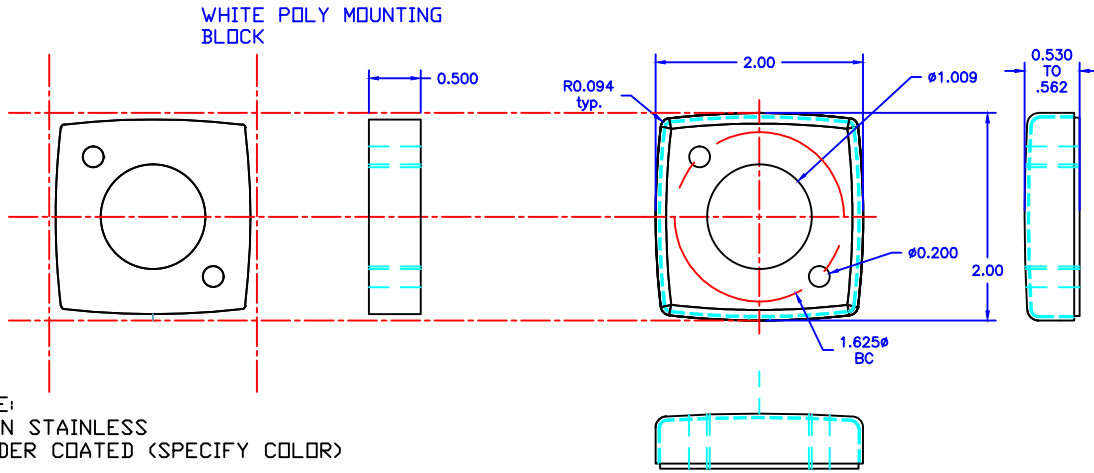




# Technical Data S-4646-XX

EXPOSED MOUNT SQUARE 1"Ø SHOWER ROD FLANGES (PAIR)



SQUARE FLANGE  
TYP. 2X

1"Ø SHOWER ROD  
NOT INCLUDED IN  
THIS PART NUMBER

POLY MOUNTING  
BLOCK, TYP. 2X

## Construction:

POLY MOUNTING BLOCK: 1/2" THICK HIGH DENSITY WHITE PLASTIC.  
SQUARE FLANGE: .028 THICK TYPE 304 STAINLESS STEEL.  
MOUNTING SCREWS: #10 X 1 1/2" LONG SMS PAN PHIL. HEAD STAINLESS STEEL.

## Operation:

HOLDS 1"Ø SHOWER ROD.

## Installation:

USE POLY MOUNTING BLOCK TO LOCATE AND MARK DESIRED HEIGHT.  
DRILL MOUNTING HOLES.  
FASTEN FLANGE ONTO POLY BLOCK ON ONE SIDE OF WALL.  
INSERT SHOWER ROD AND REPEAT FOR OTHER SIDE.

## Guide Specification:

1"Ø SQUARE SHOWER ROD FLANGE.  
EXPOSED MOUNTING.  
FINISHES AS INDICATED ABOVE.  
PART NUMBER INCLUDES ONE PAIR.

The manufacturer reserves the right to make changes in design and material without formal notice and without incurring obligation

© Copyright 2011  
Brey-Krause Manufacturing

Brey-Krause Manufacturing  
1209 West Lehigh Street, Bethlehem, PA 18018  
Phone: 610.867.1401 Fax: 610.866.1433  
www.breykrause.com